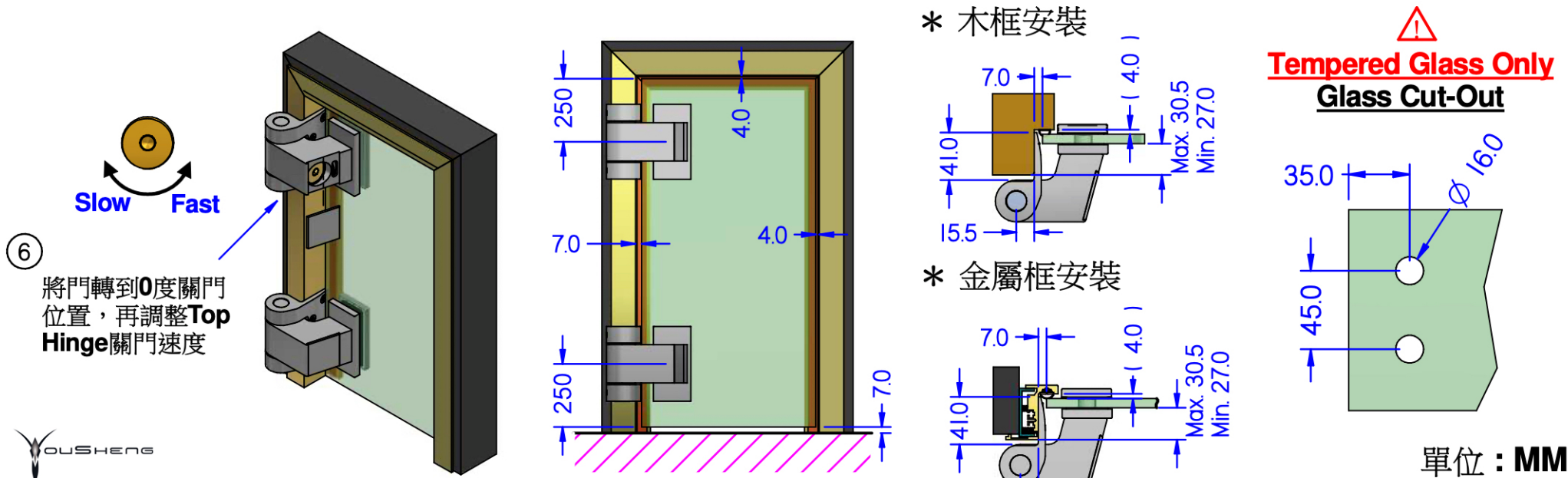
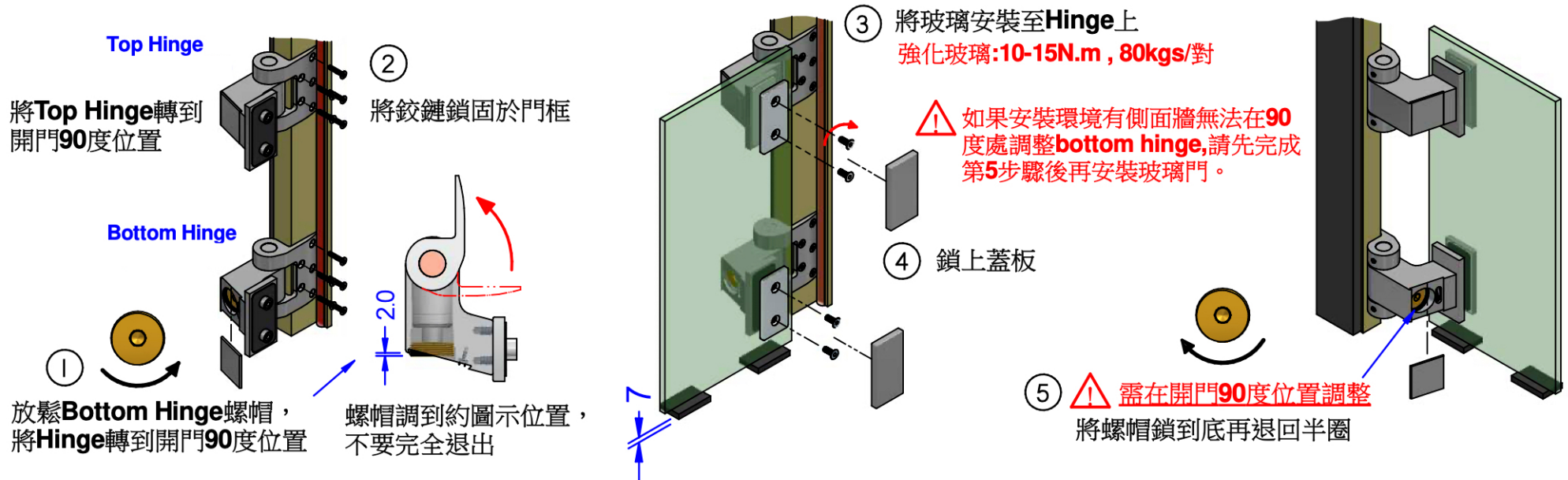


# 氣壓式玻璃回歸鉸鏈HWGH-80 安裝說明書



Patent Pending In Many Countries